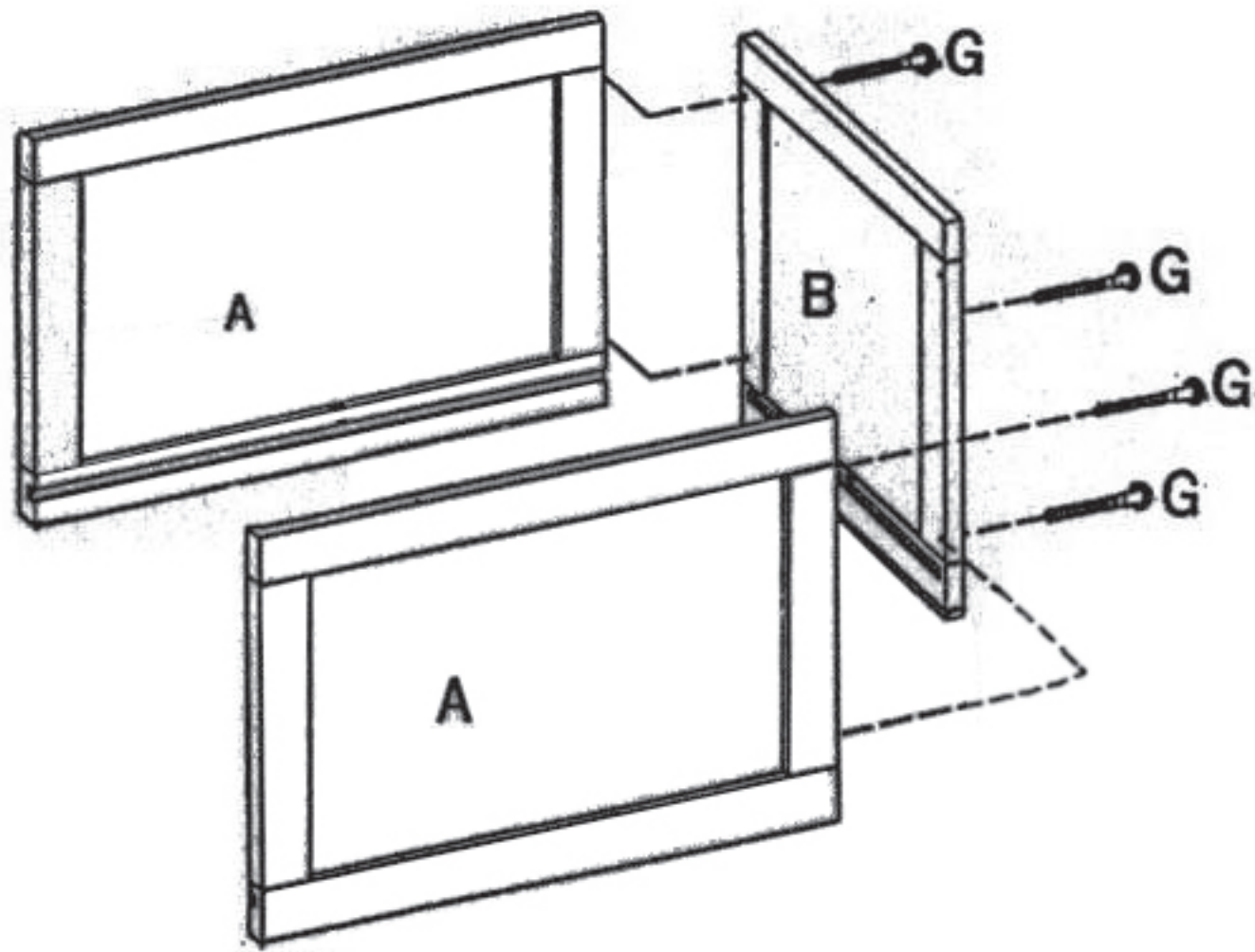
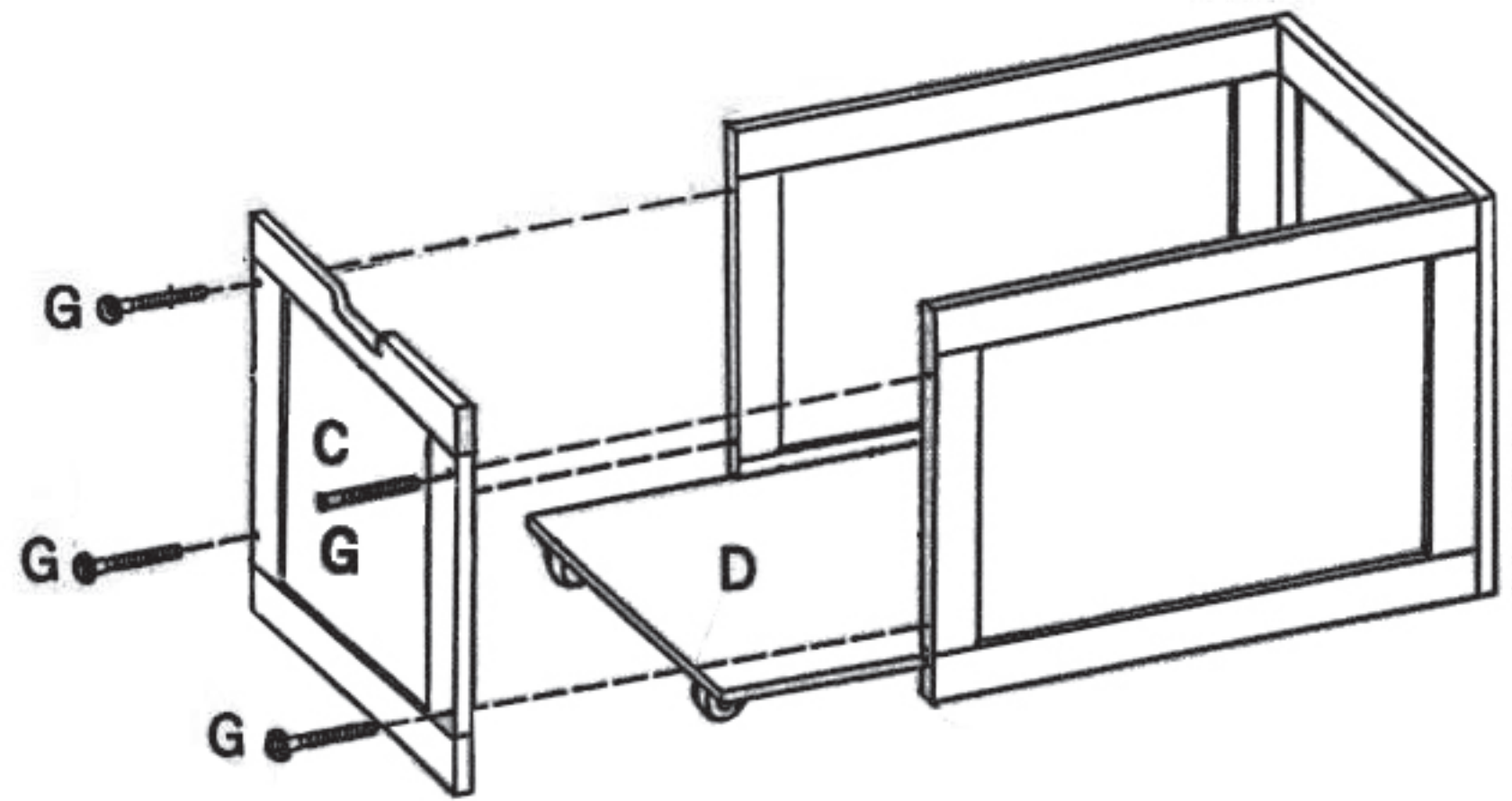


Nilo-Bin™ Assembly Instructions



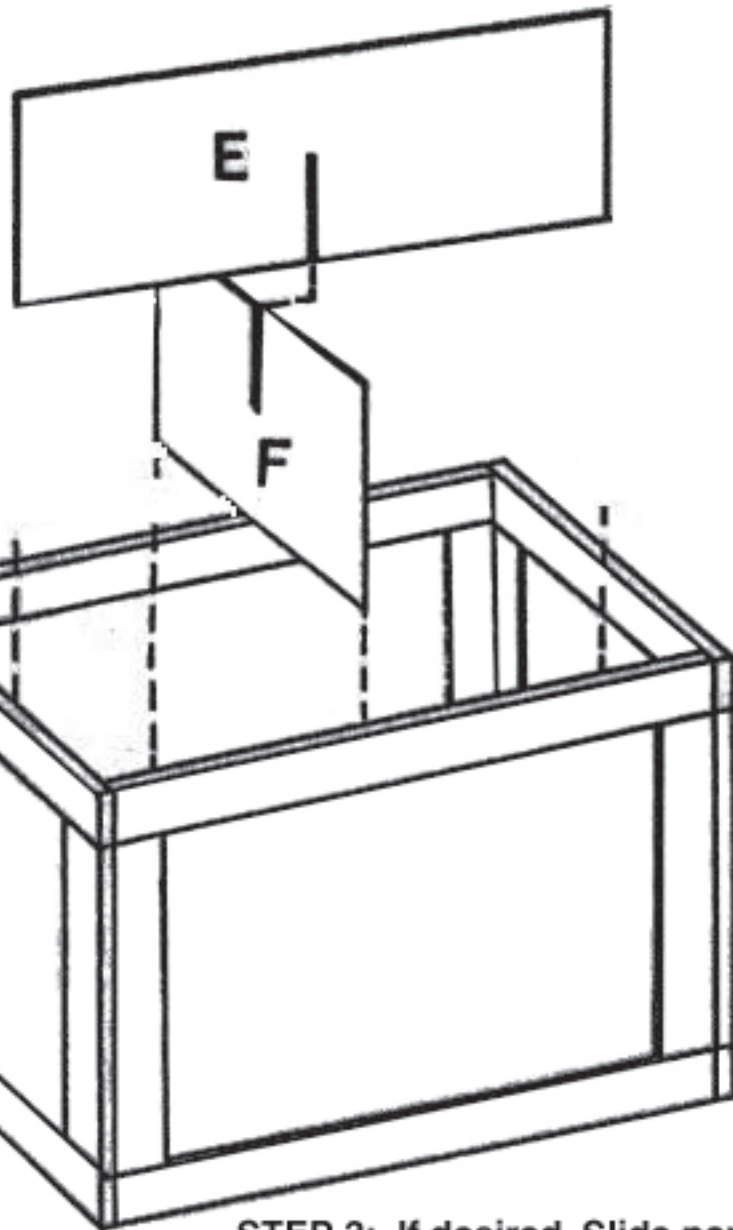
STEP 1: Attach Part (B) Back Panel, to Parts (A) Side Panels using 4 screws (Parts G).



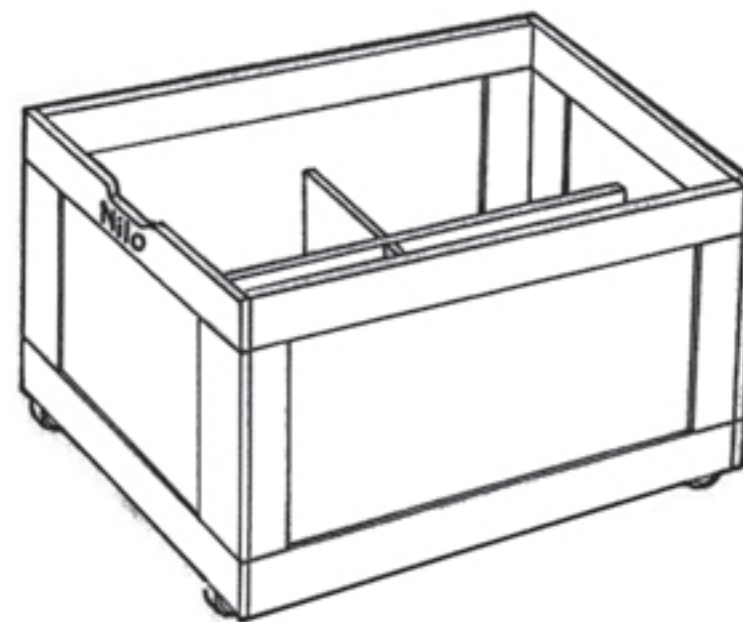
STEP 2: Slide Bottom Panel Part (D) into grooves of Parts A. Next, Attach Part (C) Front Panel, using 4 screws Part (G).

TO INSTALL DIVIDERS:

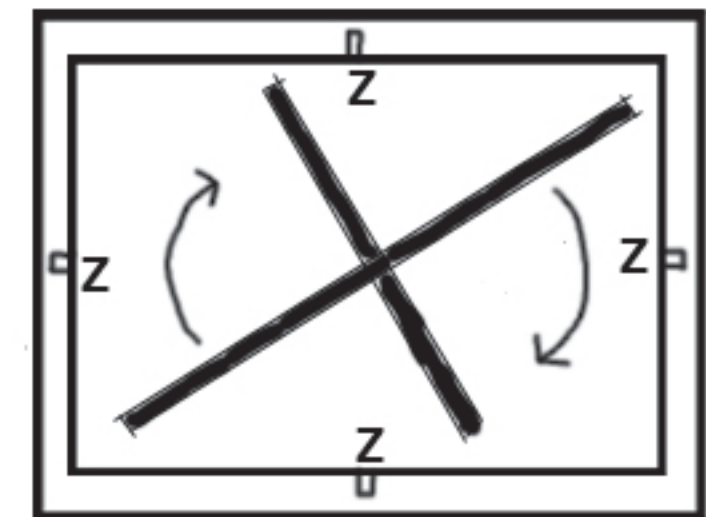
Step 1: Slide Parts (E) & (F) together.



STEP 3: If desired, Slide part (E) on top of Part Part (F), using cut slot as your joining point. Note: You may also use just Part (E)....or just Part (F) to have two larger storage areas instead of four smaller ones.



COMPLETED UNIT....Isn't she grand!



Step 2: Drop assembled Parts (E) & (F) into box as shown above. Then lift dividers up slightly and rotate until you are able to drop each panel (E & F) into their groove at points (Z) above.

QUESTIONS OR PROBLEMS???

Please call Nilo direct!.....

800-872-6456

www.nilotoy.com