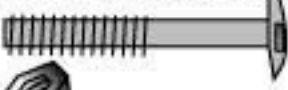



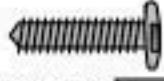


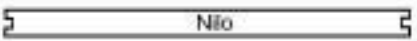




NW51 Multi-Activity Table Assembly Instructions

Congratulations! You have just purchased the absolute best multi-activity table in the world! Tell a friend and celebrate! Thank you for your purchase! Please check out our Web Site from time to time for new Nilo® compatible product releases. Thanks again!

ANY QUESTIONS? PLEASE CALL OUR CUSTOMER SERVICE No.: 800-872-6456, M-F, 8-4 PST

PARTS LIST: (Please note that the table frame, legs and hardware are shipped in one box and the melamine table top is shipped in another box.)

- (8) 6m X 2 7/8" leg bolts 
- (8) 6m nuts for leg assy 
- (8) 1/4" X 1" washers for leg assy 
- (8) 1/4" lock washers for leg assy 
- (8) 1/4" X 1 3/8" corner screws for frame assy 
- (1) allen wrench to tighten leg bolts and corner screws 
- (2) short frame boards 
- (2) long frame boards 
- (1) 2-sided melamine table top (Note: select best side) 
- (1) wrench to tighten leg bolt nuts 

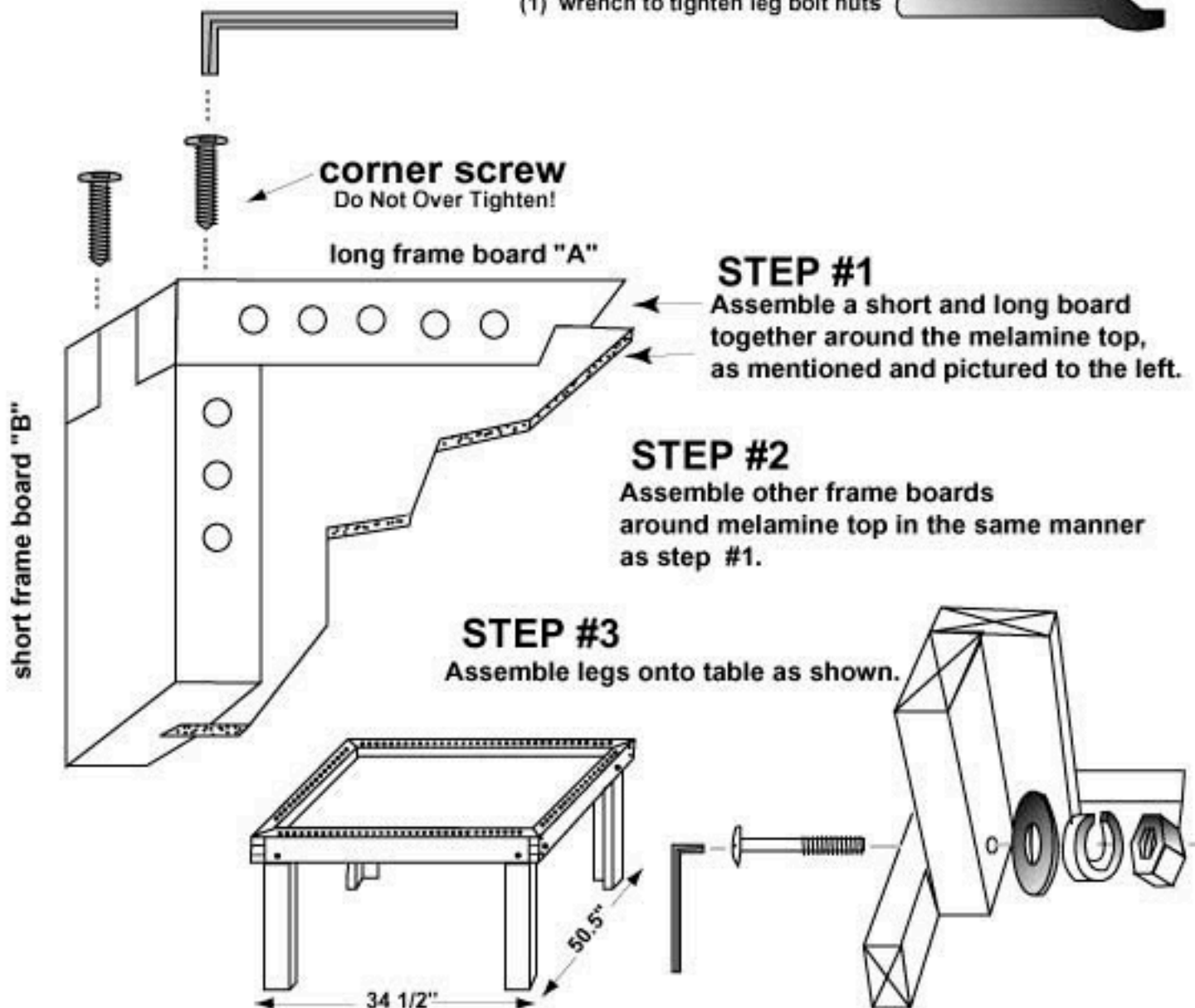


TABLE USES: The inside dimension of the table top is designed to accommodate up to (4) of our Nilo 2-Sided Block Mats for Lego/Duplo® compatibility, and also our Nilo-Mat™, Thomas and Brio® play boards. The holes in the border are for our Slide Hammer 'N Nails™, Brio-Mec™, Nilo-Jax™, Rok-Jax™, holding crayons, you name it! We keep coming up with more goodies for their use!

CARE: Clean with non-scratch cleansers, Pine-Sol, etc. Ammonia is not recommended. Keep liquids off table top for any extended time. If spills, wipe them up quickly. In worse case, Ajax may be used but will dull the surface. It will become shiny over time. If top is terrible, dis-assemble table, reverse melamine top and re-assemble. You now have a new, clean table top again!

DISCLAIMER: Please note that this table is made for playing with toys on the table top. Although it is of very sound construction, it is not made for standing or jumping on.

WWW.nilotoys.com